

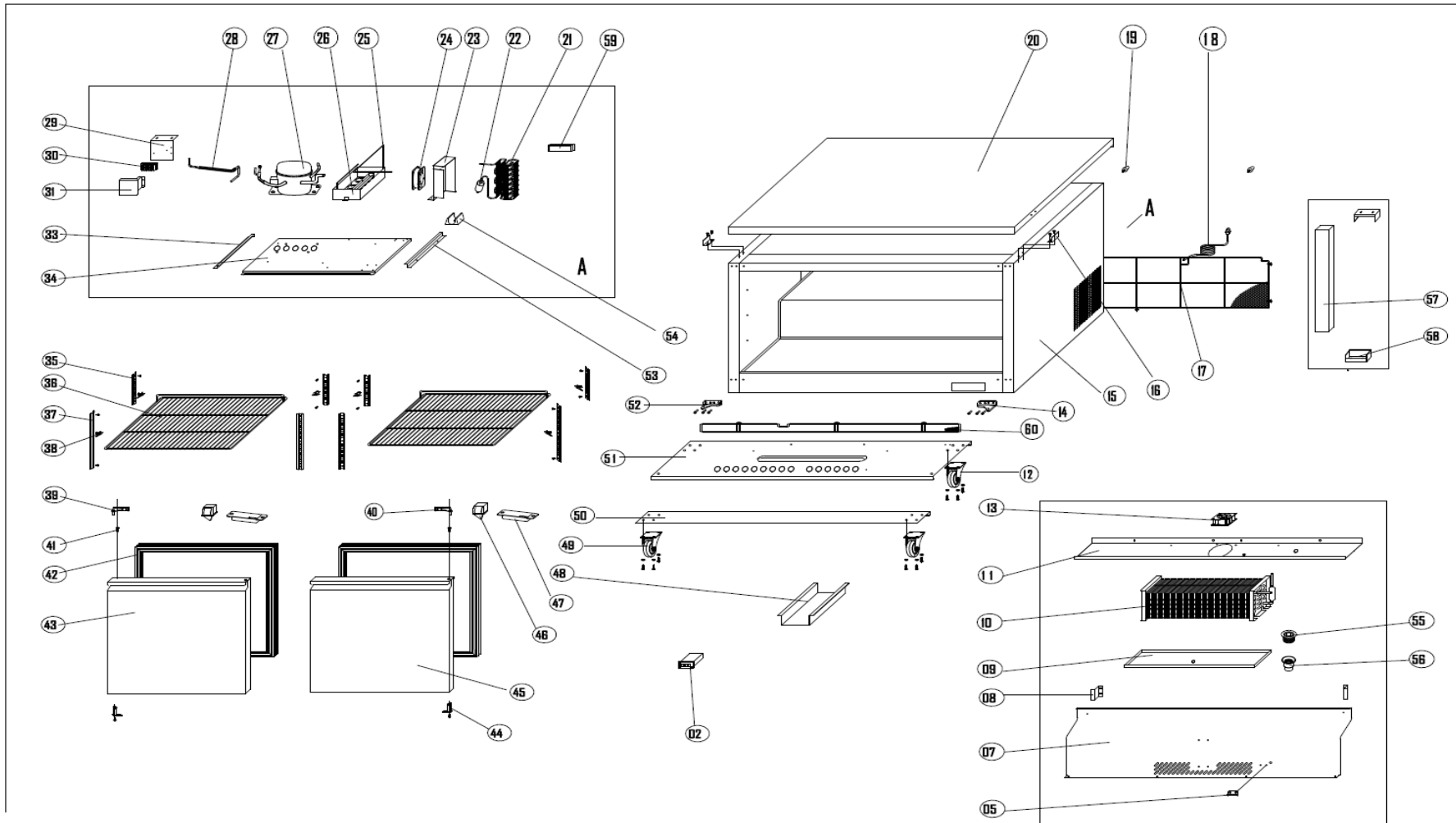


Model: KCHUC60R
PNC: 738291
REV: 7/11/2024

Spare Parts List

NO	DESCRIPTION	Serial #	QTY	COMPONENT PNC	Model Number	Model PNC
2	TEMPERATURE CONTROLLER	<01021349	1PC	0USF42	KCHUC60R	738291
		≥01021349	1PC	0USDET	KCHUC60R	738291
2a	Inner Chest Temperature Sensor Probe	ALL	1PC	0USC4C	KCHUC60R	738291
2b	Controller Mounting Plate	ALL	1PC	0USDIF	KCHUC60R	738291
5	Sensor Fixed Clip	ALL	1PC	0USM10	KCHUC60R	738291
7	Evaporator Cover	ALL	1PC	0USK11	KCHUC60R	738291
8	FIXED SUPPORT OF EVAPORATOR COVER	ALL	2PCS	0USK05	KCHUC60R	738291
9	Evaporator Water Pan	ALL	1PC	0USG60	KCHUC60R	738291
10	Evaporator	ALL	1PC	0USG38	KCHUC60R	738291
10a	Evaporator Temperature Sensor Probe	ALL	1PC	0USC6R	KCHUC60R	738291
11	Circle Fan Support	ALL	1PC	0USK36	KCHUC60R	738291
12	Normal Wheel	ALL	2PCS	0USH63	KCHUC60R	738291
13	Circle Fan	ALL	1PC	096250	KCHUC60R	738291
14	Lower Door Hinge/Right	ALL	1PC	0USF81	KCHUC60R	738291
15	Body	ALL	1PC	N/A	KCHUC60R	738291
16	Top Clip	ALL	2PCS	0USL80	KCHUC60R	738291
17	UNIT ROOM COVER	ALL	1PC	0USI10	KCHUC60R	738291
18	PLUG	ALL	1PC	0USH67	KCHUC60R	738291
19	Location Knob	ALL	2PCS	0USH46	KCHUC60R	738291
20	Top	ALL	1PC	0USL10	KCHUC60R	738291
21	Condenser	ALL	1PC	0USF38	KCHUC60R	738291
22	FILTER DRIER	ALL	1PC	0USG65	KCHUC60R	738291
22a	CAPILLARY	ALL	1PC	0USL79	KCHUC60R	738291
23	Condenser Fan Board	ALL	1PC	0USK25	KCHUC60R	738291
24	Condenser Fan	ALL	1PC	0USF14	KCHUC60R	738291
25	Evaporate Pipe	ALL	1PC	0USG20	KCHUC60R	738291
26	WATER BOX	ALL	1PC	0USI35	KCHUC60R	738291
27	Compressor	ALL	1PC	0USF25	KCHUC60R	738291
27a	COMPRESSOR ELECTRICAL COMPONENT SET	ALL	1PC	0USDF2	KCHUC60R	738291
28	Suction Pipe	ALL	1PC	0USO35	KCHUC60R	738291
29	CONNECTOR SUPPORT	ALL	1PC	0USDEE	KCHUC60R	738291
30	Cable Connector	ALL	1PC	0USF09	KCHUC60R	738291
31	CONNECTOR COVER	ALL	1PC	0USJ98	KCHUC60R	738291
33	GUIDE OF UNIT BOARD/LEFT	ALL	1PC	0USK50	KCHUC60R	738291
34	UNIT BOARD	ALL	1PC	0USK32	KCHUC60R	738291
35	SHELF SUPPORT B	ALL	4PCS	0USI66	KCHUC60R	738291
35a	Shelf Support Screw	ALL	8PCS	0USM14	KCHUC60R	738291
36	SHELF	ALL	2PCS	0USC0K	KCHUC60R	738291
37	SHELF SUPPORT A	ALL	4PCS	0USI44	KCHUC60R	738291
37a	Shelf Support Screw	ALL	12PCS	0USM14	KCHUC60R	738291
38	K Shape Clip	ALL	8PCS	0USH19	KCHUC60R	738291
39	Up Hinge/Left	ALL	1PC	0USI16	KCHUC60R	738291
40	UP HINGE /RIGHT	ALL	1PC	0USI17	KCHUC60R	738291
41	BUSHING	ALL	2PCS	096268	KCHUC60R	738291
42	GASKET	ALL	2PCS	0USG95	KCHUC60R	738291
43	DOOR/LEFT	ALL	1PC	0USF67	KCHUC60R	738291
44	DOOR SPRING HINGE	ALL	2PCS	0USF83	KCHUC60R	738291
45	Door /Right	ALL	1PC	0USF69	KCHUC60R	738291
46	DOOR SWITCH	ALL	2PCS	096253	KCHUC60R	738291
47	Door Switch Case	ALL	2PCS	0USF88	KCHUC60R	738291
48	CABLE COVER	ALL	1PC	0USK07	KCHUC60R	738291

49	BRAKE WHEEL	ALL	2PCS	0USF03	KCHUC60R	738291
49a	Castor Mounting Bolt (4-PACK)	ALL	4PC	0USC2U	KCHUC60R	738291
49b	Castor Mounting Locking Washer (4-PACK)	ALL	4PC	0USC4A	KCHUC60R	738291
49c	Castor Mounting Flat Washer (4-PACK)	ALL	4PC	0USC2X	KCHUC60R	738291
50	FRONT SUPPORT OF UNIT BOARD	ALL	1PC	0USJ61	KCHUC60R	738291
51	BACK SUPPORT OF UNIT BOARD	ALL	1PC	0USJ62	KCHUC60R	738291
52	Lower Door Hinge/Left	ALL	1PC	0USF80	KCHUC60R	738291
53	GUIDE OF UNIT BOARD/RIGHT	ALL	1PC	0USK49	KCHUC60R	738291
54	DRIER SUPPORT	ALL	1PC	0USI78	KCHUC60R	738291
55	Drain Pipe(B Ext)	ALL	1PC	096263	KCHUC60R	738291
56	Drain Pipe(A Int)	ALL	1PC	0USG04	KCHUC60R	738291
56a	DRAIN PIPE	ALL	1PC	0USM54	KCHUC60R	738291
56b	DRAIN FIXER	ALL	1PC	0USN75	KCHUC60R	738291
57	Middle Girder	ALL	1PC	0USH56	KCHUC60R	738291
58	Middle Girder Fixer	ALL	2PCS	0USH59	KCHUC60R	738291
59	Transformer	ALL	1PC	096252	KCHUC60R	738291
60	Unit Room Cover - Bottom	<9053172		N/A	KCHUC60R	738291
		≥9053172	1PC	0USFAI	KCHUC60R	738291



EXPLODE OF KCHUC60R